



1
2
3
4

Document Identifier: DSP1065

Date: 2018-09-04

Version: 1.0.0

5
6

Network Management - Virtual Routing and Forwarding Profile

7 **Supersedes: None**
8 **Document Class: Normative**
9 **Document Status: Published**
10 **Document Language: en-US**

11 Copyright Notice

12 Copyright © 2018 DMTF. All rights reserved.

13 DMTF is a not-for-profit association of industry members dedicated to promoting enterprise and systems
14 management and interoperability. Members and non-members may reproduce DMTF specifications and
15 documents, provided that correct attribution is given. As DMTF specifications may be revised from time to
16 time, the particular version and release date should always be noted.

17 Implementation of certain elements of this standard or proposed standard may be subject to third party
18 patent rights, including provisional patent rights (herein "patent rights"). DMTF makes no representations
19 to users of the standard as to the existence of such rights, and is not responsible to recognize, disclose,
20 or identify any or all such third party patent right, owners or claimants, nor for any incomplete or
21 inaccurate identification or disclosure of such rights, owners or claimants. DMTF shall have no liability to
22 any party, in any manner or circumstance, under any legal theory whatsoever, for failure to recognize,
23 disclose, or identify any such third party patent rights, or for such party's reliance on the standard or
24 incorporation thereof in its product, protocols or testing procedures. DMTF shall have no liability to any
25 party implementing such standard, whether such implementation is foreseeable or not, nor to any patent
26 owner or claimant, and shall have no liability or responsibility for costs or losses incurred if a standard is
27 withdrawn or modified after publication, and shall be indemnified and held harmless by any party
28 implementing the standard from any and all claims of infringement by a patent owner for such
29 implementations.

30 For information about patents held by third-parties which have notified the DMTF that, in their opinion,
31 such patent may relate to or impact implementations of DMTF standards, visit
32 <http://www.dmtf.org/about/policies/disclosures.php>.

33 This document's normative language is English. Translation into other languages is permitted.

CONTENTS

35	Foreword	5
36	Introduction.....	6
37	1 Scope	7
38	2 Normative references	7
39	3 Terms and definitions	7
40	4 Symbols and abbreviated terms.....	8
41	5 Synopsis	9
42	6 Description	9
43	6.1 Class diagram	9
44	6.2 CIM_VirtualRoutingAndForwardingTable	10
45	6.3 CIM_VRFConfigurationService.....	10
46	6.4 CIM_System	11
47	6.5 CIM_ServiceAccessPoint	11
48	6.6 CIM_EthernetPort	11
49	6.7 CIM_NextHopIPRoute	11
50	7 Implementation.....	11
51	7.1 Representing the Virtual routing and forwarding table management capabilities	11
52	7.1.1 CIM_System	11
53	7.1.2 CIM_VRFConfigurationService.....	11
54	7.1.3 CIM_VirtualRoutingAndForwardingTable	12
55	7.1.4 CIM_NextHopIPRoute	12
56	7.1.5 CIM_EthernetPort	12
57	7.1.6 CIM_ServiceAccessPoint	12
58	8 Methods.....	12
59	8.1 Extrinsic Methods.....	12
60	8.1.1 Job parameter	13
61	8.1.2 CIM_VRFConfigurationService.CreateVRF()	13
62	8.1.3 CIM_VRFConfigurationService.RemoveVRF()	14
63	8.1.4 CIM_VRFConfigurationService.AddRoute()	15
64	8.1.5 CIM_VRFConfigurationService.RemoveRoute()	16
65	8.1.6 CIM_VRFConfigurationService.AddPortMember().....	16
66	8.1.7 CIM_VRFConfigurationService.RemovePortMember().....	17
67	8.1.8 CIM_VRFConfigurationService.AddSAPMember()	17
68	8.1.9 CIM_VRFConfigurationService.RemoveSAPMember()	18
69	8.2 Profile conventions for operations	19
70	8.3 CIM_HostedService	19
71	8.4 CIM_HostedCollection	19
72	8.5 CIM_ServiceAvailableToElement	20
73	8.6 CIM_ServiceAffectsElement	20
74	8.7 CIM_VRFRoute.....	20
75	8.8 CIM_MemberOfCollection	21
76	8.9 CIM_VRFConfigurationService.....	21
77	8.10 CIM_NextHopIPRoute	21
78	8.11 CIM_VirtualRoutingAndForwardingTable	21
79	8.12 CIM_System	21
80	9 Use cases.....	22
81	9.1 Profile Registration.....	22
82	9.2 VRF with Routes and Interfaces	22
83	10 CIM Elements.....	24
84	10.1 CIM_HostedService	25
85	10.2 CIM_VRFRoute.....	25
86	10.3 CIM_RegisteredProfile.....	26

87 10.4 CIM_VirtualForwardingAndRoutingTable 26
 88 10.5 CIM_NextHopRoute 26
 89 10.6 CIM_NextHopIPRoute 27
 90 ANNEX A (informative) Change log 28

91

92 Figures

93

94 Figure 1 – Network Management - Virtual Routing and Forwarding Profile: Class diagram 10
 95 Figure 2 – Registered profile with Computer System Profile 22
 96 Figure 3 – VRF Instance Diagram 24

97

98

99 Tables

100 Table 1 – Referenced profiles 9
 101 Table 2 – CreateVRF() Method: Parameters 14
 102 Table 3 – RemoveVRF() Method: Parameters 15
 103 Table 4 – AddRoute() Method: Parameters 15
 104 Table 5 – RemoveRoute() Method: Parameters 16
 105 Table 6 – AddPortMember() Method: Parameters 16
 106 Table 7 – RemovePortMember() Method: Parameters 17
 107 Table 8 – AddSAPMember() Method: Parameters 18
 108 Table 9 – RemoveSAPMember() Method: Parameters 18
 109 Table 10 – Operations: CIM_HostedService 19
 110 Table 12 – Operations: CIM_ServiceAvailableToElement 20
 111 Table 13 – Operations: CIM_ServiceAffectsElement 20
 112 Table 14 – Operations: CIM_VRFRoute 20
 113 Table 15 – Operations: CIM_MemberOfCollection 21
 114 Table 16 – CIM Elements: Network Management - Virtual Routing and Forwarding Profile 24
 115 Table 17 – Class: CIM_HostedService 25
 116 Table 18 – Class: CIM_VRFRoute 25
 117 Table 19 – Class: CIM_RegisteredProfile 26
 118 Table 20 – Class: CIM_VirtualForwardingAndRoutingTable 26
 119 Table 21 – Class: CIM_NextHopRoute 26
 120 Table 22 – Class: CIM_NextHopIPRoute 27

121

122

Foreword

123 The *Network Management - Virtual Routing and Forwarding Profile* (DSP1065) was prepared by the
124 Network Services Management Working Group of the DMTF.

125 DMTF is a not-for-profit association of industry members dedicated to promoting enterprise and systems
126 management and interoperability.

127 **Acknowledgments**

128 The DMTF acknowledges the following individuals for their contributions to this document:

129 Editors:

- 130 • John Parchem – DMTF Fellow

131 Contributors:

- 132 • John Crandall – Brocade Communications System
- 133 • Dr. Bhumip Khasnabish - ZTE Corporation
- 134 • Lawrence Lamers – VMware John Leung – Intel Corporation
- 135 • Steve Neely – Cisco Systems
- 136 • John Parchem – Microsoft Corporation
- 137 • Shishir Pardikar – Citrix
- 138 • Hemal Shah – Broadcom Corporation
- 139 • Alex Zhdankin – Cisco Systems

140

Introduction

141 The information in this specification should be sufficient for a provider or consumer of this data to identify
142 unambiguously the classes, properties, methods, and values that shall be instantiated and manipulated to
143 represent and manage Network Services and the associated configuration information. The target
144 audience for this specification is implementers who are writing CIM-based providers or consumers of
145 management interfaces that represent the component described in this document.

146 Document conventions

147 Typographical conventions

148 The following typographical conventions are used in this document:

- 149 • Document titles are marked in *italics*.
- 150 • ABNF rules are in `monospaced font`.

151

152 Network Management - Virtual Routing and Forwarding 153 Profile

154 1 Scope

155 The *Network Management - Virtual Routing and Forwarding Profile* is a profile that will specify the CIM
156 schema and use cases associated with the general and common aspects of routing and forwarding table
157 including VRFs found in an Ethernet Switch with routing capabilities. This profile includes a specification
158 of the Layer 3 interface configuration service, Sub-Interface, Tunnel Interface switch virtual interface and
159 loopback interface.

160 2 Normative references

161 The following referenced documents are indispensable for the application of this document. For dated or
162 versioned references, only the edition cited (including any corrigenda or DMTF update versions) applies.
163 For references without a date or version, the latest published edition of the referenced document
164 (including any corrigenda or DMTF update versions) applies.

165 DMTF DSP0004, *CIM Infrastructure Specification 2.7*,
166 http://www.dmtf.org/standards/published_documents/DSP0004_2.7.pdf

167 DMTF DSP0200, *CIM Operations over HTTP 1.3.1*,
168 http://www.dmtf.org/standards/published_documents/DSP0200_1.3.pdf

169 DMTF DSP0223, *Generic Operations 1.0*,
170 http://www.dmtf.org/standards/published_documents/DSP0223_1.0.pdf

171 DMTF DSP1001, *Management Profile Specification Usage Guide 1.1*,
172 http://www.dmtf.org/standards/published_documents/DSP1001_1.1.pdf

173 DMTF DSP1033, *Profile Registration Profile 1.0*,
174 http://www.dmtf.org/standards/published_documents/DSP1033_1.0.pdf

175 DMTF DSP1097, *Virtual Ethernet Switch Profile 1.1*,
176 http://dmtf.org/sites/default/files/standards/documents/DSP1097_1.1.pdf

177 ISO/IEC Directives, Part 2, *Rules for the structure and drafting of International Standards*,
178 <http://isotc.iso.org/livelink/livelink.exe?func=ll&objId=4230456&objAction=browse&sort=subtype>

179 3 Terms and definitions

180 In this document, some terms have a specific meaning beyond the normal English meaning. Those terms
181 are defined in this clause.

182 The terms "shall" ("required"), "shall not", "should" ("recommended"), "should not" ("not recommended"),
183 "may", "need not" ("not required"), "can" and "cannot" in this document are to be interpreted as described
184 in [ISO/IEC Directives, Part 2](#), Annex H. The terms in parenthesis are alternatives for the preceding term,
185 for use in exceptional cases when the preceding term cannot be used for linguistic reasons. Note that
186 [ISO/IEC Directives, Part 2](#), Annex H specifies additional alternatives. Occurrences of such additional
187 alternatives shall be interpreted in their normal English meaning.

188 The terms "clause", "subclause", "paragraph", and "annex" in this document are to be interpreted as
189 described in [ISO/IEC Directives, Part 2](#), Clause 5.

190 The terms "normative" and "informative" in this document are to be interpreted as described in [ISO/IEC](#)
191 [Directives, Part 2](#), Clause 3. In this document, clauses, subclauses, or annexes labeled "(informative)" do
192 not contain normative content. Notes and examples are always informative elements.

193 The terms defined in [DSP0004](#), [DSP0223](#), and [DSP1001](#) apply to this document. The following additional
194 terms are used in this document (update the entire doc using the following revised terminology)

195 **3.1**

196 **If**

197 indicates requirements to be followed strictly to conform to the document when the specified conditions
198 are met

199 **3.2**

200 **Shall**

201 indicates requirements to be followed strictly to conform to the document and from which no deviation is
202 permitted

203 **3.3**

204 **Should**

205 indicates that among several possibilities, one is recommended as particularly suitable, without
206 mentioning or excluding others, or that a certain course of action is preferred but not necessarily required.

207 **3.4**

208 **May**

209 indicates a course of action permissible within the limits of the document

210 **3.5**

211 **pending configuration**

212 indicates the configuration that will be applied to an IP network connection the next time the IP network
213 connection accepts a configuration

214 **3.6**

215 **referencing profile**

216 indicates a profile that owns the definition of this class and can include a reference to this profile in its
217 "Referenced Profiles" table

218 **3.7**

219 **unspecified**

220 indicates that this profile does not define any constraints for the referenced CIM element or operation

221 **4 Symbols and abbreviated terms**

222 The abbreviations defined in [DSP0004](#), [DSP0223](#), and [DSP1001](#) apply to this document. The following
223 additional abbreviations are used in this document.

224 **4.1**

225 **IP**

226 Internet Protocol

227 **4.2**

228 **VLAN**

229 Virtual Local Area Network

230 **4.3**
 231 **VRF**
 232 Virtual Routing and Forwarding table

233 **4.4**
 234 **BGP**
 235 Border Gateway Protocol

236 **5 Synopsis**

237 **Profile name:** Network Management - Virtual Routing and Forwarding Profile

238 **Version:** 1.0.0

239 **Organization:** DMTF

240 **CIM Schema version:** 2.52

241 **Central class:** CIM_VRFConfigurationService

242 **Scoping class:** CIM_System

243 The *Network Management - Virtual Routing and Forwarding Profile* is a base (abstract) profile that will
 244 specify the CIM schema and use cases associated with the general and common aspects of Network
 245 Policy Management. This profile includes a specification of the Network Policy Service, Network Policy,
 246 Network Policy Rule and Setting Data, Policy Conditions and Action and describes how the network
 247 Policies can be applied to the Managed Elements.

248 Table 1 identifies profiles on which this profile has a dependency.

249 **Table 1 – Referenced profiles**

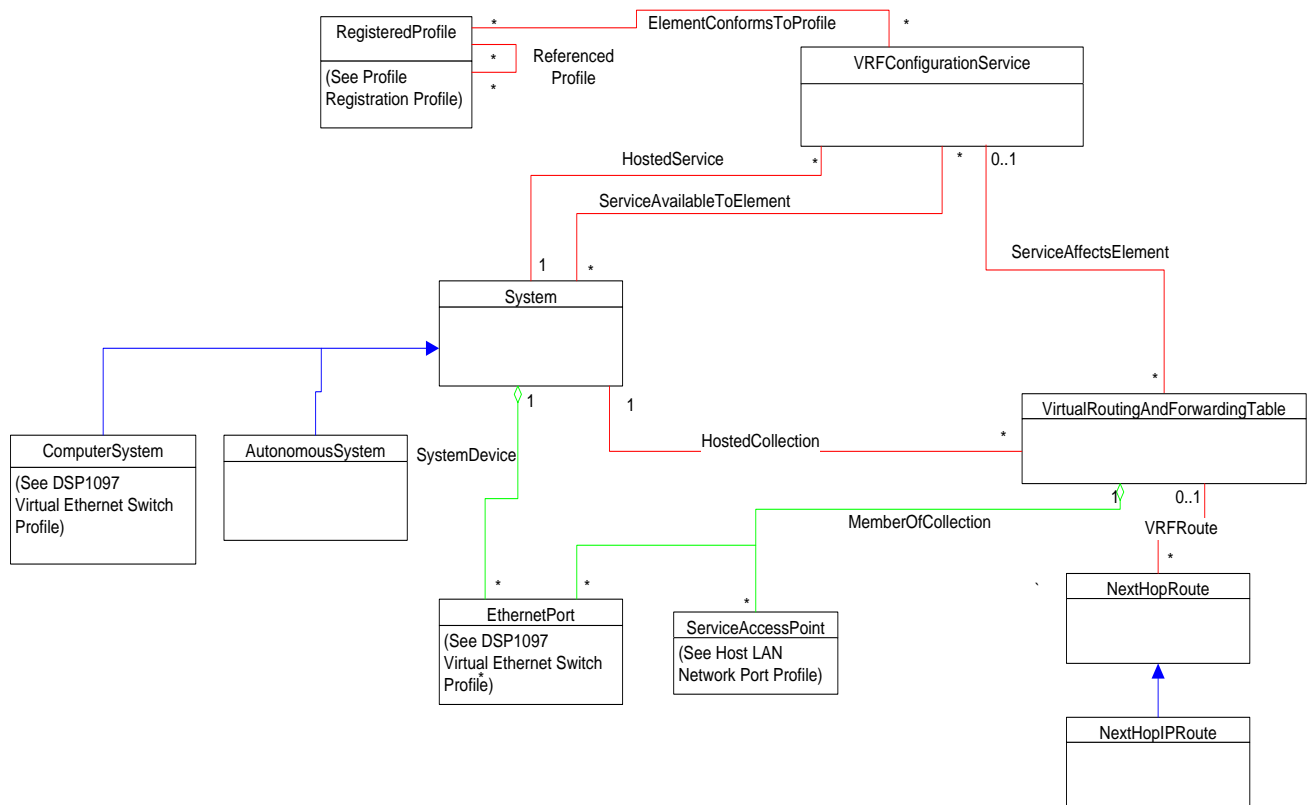
Profile Name	Organization	Version	Requirement	Description
Profile Registration	DMTF	1.0	Mandatory	None
Virtual Ethernet Switch	DMTF	1.1	Mandatory	None

250 **6 Description**

251 The *Network Management - Virtual Routing and Forwarding Profile* is a base (abstract) profile that will
 252 specify the CIM schema and use cases associated with the general and common aspects of creating and
 253 configuring The routes and associated interfaces of a Virtual Routing and Forwarding table typically found
 254 in an Ethernet switch with routing capabilities. This includes the VRF configuration service, to instantiate
 255 and configure VRFs and their associated routes.

256 **6.1 Class diagram**

257 Figure 1 represents the class schema for the *Network Management - Virtual Routing and Forwarding*
 258 *Profile*. For simplicity, the CIM_ prefix has been removed from the names of the classes.



259
260

261 **Figure 1 – Network Management - Virtual Routing and Forwarding Profile: Class diagram**

262 Figure 1 is a class diagram for the configuration of the virtual routing and forwarding tables (VRF) typically
 263 found in an Ethernet switch that supports routing. The figure shows the CIM_VRFConfigurationService
 264 and the CIM_VirtualRoutingAndForwardingTable classes and the associated ports and interfaces that are
 265 within the VRF. A set of CIM_NextHopIPRoute instances describe the associated routes in the VRF. A
 266 VRF is hosted by a System typically either an instance of CIM_ComputerSystem, representing an
 267 Ethernet Switch or an Instance of a router possibly within a switch represented by
 268 CIM_AutonomousSystem.

269 **6.2 CIM_VirtualRoutingAndForwardingTable**

270 A VRF allows multiple routing tables with independent, the same or overlapping IP addresses within the
 271 same Ethernet switch. An instance of CIM_VirtualRoutingAndForwardingTable represents a single VRF. It
 272 is a subclass of CIM_SystemSpecificCollection where the members are interfaces, represented as
 273 CIM_ServiceAccessPoint instances or ports represented by CIM_EthernetPort. Also associated with the
 274 VRF are the routes configured for the VRF.

275 **6.3 CIM_VRFConfigurationService**

276 The VRF configuration service manages the creation and deletion of VRF, the addition and removal of
 277 ports and interfaces to the VRF and the configuration of the next hop routes associated with the VRF.

278 6.4 CIM_System

279 Subclasses of CIM_System represent either an Ethernet switch, CIM_ComputerSystem, or a router,
280 CIM_AutonomousSystem. VRFs can be created and associated with any of these example subclasses of
281 CIM_System.

282 6.5 CIM_ServiceAccessPoint

283 This is the base class for interfaces and service access points in an Ethernet switch or a router. An
284 interface within an Ethernet switch or router can be a member of no more than one
285 CIM_VirtualRoutingAndForwardingTable collection. An example would be an instance of
286 CIM_RemoteServiceAccessPoint representing an NTP or RADIUS service. Another example would be a
287 layer 3 interface such as CIM_IPSubinterface which also has CIM_ServiceAccessPoint as a super class.

288 6.6 CIM_EthernetPort

289 Represents the switch ports in an Ethernet switch. Once a VRF is configured, a port can be assigned to
290 the VRF which would make the CIM_EthernetPort instance a member of the
291 CIM_VirtualRoutingAndForwardingTable collection.

292 6.7 CIM_NextHopIPRoute

293 Each VRF can have an associated set of next hop routes. Static routes can be configured using the
294 associated CIM_VRFConfigurationService. Each route results in an instance of CIM_NextHopIPRoute
295 that is associated to VRF through a CIM_VRFRoute instance.

296 7 Implementation

297 This clause details the requirements related to the arrangement of instances and properties of instances
298 for implementations of this profile.

299 7.1 Representing the Virtual routing and forwarding table management 300 capabilities

301 7.1.1 CIM_System

302 An instance of CIM_System shall be the scoping class for this profile. This scoping instance should be an
303 instance of either CIM_ComputerSystem representing an Ethernet switch or an instance of
304 CIM_AutonomousSystem representing a router.

305 The scoping class instance of CIM_System shall be associated to central class instance of
306 CIM_VRFConfigurationService through an instance of CIM_HostedService.

307 If a CIM_System instance can be the TargetRouter of a CIM_VRFConfigurationService.CreateVRF()
308 method call, the CIM_System instance shall be associated to that instance of the
309 CIM_VRFConfigurationService through an instance of CIM_ServiceAvailableToElement.

310 7.1.2 CIM_VRFConfigurationService

311 One or more instances of CIM_VRFConfigurationService shall be instantiated.

312 Each instance of the CIM_VRFConfigurationService shall be associated with the instance of the scoping
313 CIM_System through an instance of CIM_HostedService.

314 Instances of CIM_System that may be used as the HostSystem parameter of a
315 CIM_VRFConfigurationService.CreateVRF() method shall be associated to the
316 CIM_VRFConfigurationService instance through an instance of CIM_ServiceAvailableToElement.

317 The instances of the CIM_VRFConfigurationService class shall be associated to each
318 CIM_VirtualRoutingAndForwardingTable instance that may be used as the VRF parameter of its
319 AddRoute(), AddPortMember() or AddSAPMember() method through an instance of
320 CIM_ServiceAffectsElement.

321 **7.1.3 CIM_VirtualRoutingAndForwardingTable**

322 Each CIM_VirtualRoutingAndForwardingTable instance shall be associated to an instance of
323 CIM_System through an instance of CIM_HostedCollection.

324 If the CIM_VirtualRoutingAndForwardingTable instance was created with a
325 CIM_VRFConfigurationService.CreateVRF() method, the CIM_System instance referenced in the
326 TargetRoute method parameter shall be associated through an instance of CIM_HostedCollection.

327 If the CIM_VirtualRoutingAndForwardingTable instance was created with a
328 CIM_VRFConfigurationService.CreateVRF() method with a null TargetRouter method parameter, the
329 CIM_VirtualRoutingAndForwardingTable instance shall be associated to the scoping instance of
330 CIM_System through an instance of CIM_HostedCollection.

331 **7.1.4 CIM_NextHopIPRoute**

332 Each instance of CIM_NextHopIPRoute that describes a route for an instance of a
333 CIM_VirtualRoutingAndForwardingTable (see 7.1.3) shall be associated to that instance through an
334 instance of CIM_VRFRoute.

335 **7.1.5 CIM_EthernetPort**

336 Each instance of CIM_EthernetPort that describes a switch port contained in a VRF,
337 CIM_VirtualRoutingAndForwardingTable (see 7.1.3), shall be associated to the VRF instance through an
338 instance of CIM_MemberOfCollection. An instance of CIM_EthernetPort shall be associated to no more
339 than one instance of CIM_VirtualRoutingAndForwardingTable.

340 **7.1.6 CIM_ServiceAccessPoint**

341 Each instance of CIM_ServiceAccessPoint that describes an interface or a remote service access point
342 contained in a VRF, CIM_VirtualRoutingAndForwardingTable (see 7.1.3), shall be associated to the VRF
343 instance through an instance of CIM_MemberOfCollection. An instance of CIM_ServiceAccessPoint shall
344 be associated to no more than one instance of CIM_VirtualRoutingAndForwardingTable.

345 **8 Methods**

346 This clause details the requirements for supporting intrinsic operations and extrinsic methods for the CIM
347 elements defined by this profile.

348 **8.1 Extrinsic Methods**

349 If synchronous execution of a method succeeds, the implementation shall set a return value of
350 0 (Completed with No Error).

351 If synchronous execution of a method fails, the implementation shall set a return value of 2 (Failed) or a
352 more specific return code as specified with the respective method.

353 If a method is executed as an asynchronous task, the implementation shall perform all of the following ac-
354 tions:

- 355 • Set a return value of 4096 (Job Started).
- 356 • Set the value of the Job output parameter to refer to an instance of the CIM_ConcreteJob class
357 that represents the asynchronous task.
- 358 • Set the values of the JobState and TimeOfLastStateChange properties in that instance to repre-
359 sent the state and last state change time of the asynchronous task.

360 In addition, the implementation may present state change indications as task state changes occur.

361 If the method execution as an asynchronous task succeeds, the implementation shall perform all of the
362 following actions:

- 363 • Set the value of the JobState property to 7 (Completed).
- 364 • Provide an instance of the CIM_AffectedJobEntity association with property values set as fol-
365 lows:
 - 366 – The value of the AffectedElement property shall refer to the object that represents the top-
367 level entity that was created or modified by the asynchronous task. For example, for the
368 CIM_IPConfigurationService.AddIPProtocolEndpoint() method, this is an instance of the
369 CIM_IPProtocolEndpoint class
 - 370 – The value of the AffectingElement property shall refer to the instance of the
371 CIM_ConcreteJob class that represents the completed asynchronous task.
 - 372 – The value of the first element in the ElementEffects[] array property (ElementEffects[0])
373 shall be set to 5 (Create) for the CIM_IPConfigurationService.AddIPProtocolEndpoint()
374 method. Otherwise, this value shall be 0 (Unknown).

375 If the method execution as an asynchronous task fails, the implementation shall set the value of the
376 JobState property to 9 (Killed) or 10 (Exception).

377 **8.1.1 Job parameter**

378 The implementation shall set the value of the Job parameter as a result of an asynchronous execution of
379 a method of the CIM_IPConfigurationService as follows:

- 380 • If the method execution is performed synchronously, the implementation shall set the value to
381 NULL.
- 382 • If the method execution is performed asynchronously, the implementation shall set the value to
383 refer to the instance of the CIM_ConcreteJob class that represents the asynchronous task.

384 **8.1.2 CIM_VRFConfigurationService.CreateVRF()**

385 The implementation of the CreateVRF() method is optional, the provisions in this subclause apply in
386 addition to behavior applicable to all extrinsic methods as specified in 8.1.

387 The successful execution of the CreateVRF() method shall create an instance of
388 CIM_VirtualRoutingAndForwardingTable as described in the subclause 7.1.3.

389 Table 2 contains requirements for parameters of this method.

390

Table 2 – CreateVRF() Method: Parameters

Qualifiers	Name	Type	Description/Values
IN	TargetRouter	CIM_System REF	See 8.1.2.1
IN	VRF	String	See 8.1.2.2
OUT	ResultingVRF	REF	See 8.1.2.3
OUT	Job	CIM_ConcreteJob REF	See 8.1.2.4

391 **8.1.2.1 TargetRouter**

392 An optional reference to a CIM_System instance. The referenced instance shall comply with the
393 subclause 7.1.1.

394 **8.1.2.2 VRF**

395 A required string containing one embedded instances of the class-subclass of
396 CIM_VirtualRoutingAndForwardingTable that describes the configuration of the resultant
397 CIM_VirtualRoutingAndForwardingTable instance. The populated properties of the embedded instance
398 should not contain key properties, and any key property values may be ignored.

399 **8.1.2.3 ResultingVRF**

400 If the creation of the VRF was successful, a reference to the resultant instance of class
401 CIM_VirtualRoutingAndForwardingTable that represents the newly defined VRF shall be returned. The
402 created CIM_VirtualRoutingAndForwardingTable instance shall comply with subclause 7.1.3.

403 **8.1.2.4 Job**

404 See 8.1.1

405 **8.1.3 CIM_VRFConfigurationService.RemoveVRF()**

406 The implementation of the RemoveVRF() method is optional, the provisions in this subclause apply in
407 addition behavior applicable to all extrinsic methods as specified in 8.1.

408 The successful execution of the RemoveVRF() method shall remove the instance referenced in the
409 methods VRF parameter and should also remove any associated CIM_NextHopRoute instances.

410 Table 3 contains requirements for parameters of this method.

411

Table 3 – RemoveVRF() Method: Parameters

Qualifiers	Name	Type	Description/Values
IN	VRF	CIM_VirtualRoutingAndForwardingTable REF	See 8.1.3.1
OUT	Job	CIM_ConcreteJob REF	See 8.1.3.2

412 **8.1.3.1 VRF**

413 A reference to the instance of the class CIM_VirtualRoutingAndForwardingTable that shall be removed.

414 **8.1.3.2 Job**

415 See 8.1.1

416 **8.1.4 CIM_VRFConfigurationService.AddRoute()**

417 The implementation of the AddRoute() method is required, the provisions in this subclause shall apply in
 418 addition to the behavior applicable to all extrinsic methods as specified in 8.1.

419 The successful execution of the AddRoute() method shall create an instance of CIM_NextHopIPRoute as
 420 described in the subclause 7.1.4. This instance shall be associated with the referenced VRF through an
 421 instance of CIM_VRFRoute.

422 Table 4 contains requirements for parameters of this method.

423

Table 4 – AddRoute() Method: Parameters

Qualifiers	Name	Type	Description/Values
IN	VRF	CIM_VirtualRoutingAndForwardingTable REF	See 8.1.4.1
IN	Route	String	See 8.1.4.2
OUT	ResultingRoute	CIM_NextHopIPRoute REF	See 8.1.4.3
OUT	Job	CIM_ConcreteJob REF	See 8.1.4.4

424 **8.1.4.1 VRF**

425 A required reference to a CIM_VirtualRoutingAndForwardingTable instance.

426 **8.1.4.2 Route**

427 A required string containing one embedded instance of the class or subclass of CIM_NextHopIPRoute
 428 that describes the configuration of the resultant CIM_NextHopIPRoute instance. The populated properties
 429 of the embedded instance should not contain key properties, and any key property values may be
 430 ignored.

431 **8.1.4.3 ResultingRoute**

432 If the creation of the next hop route was successful, a reference to the resultant instance of class
 433 CIM_NextHopIPRoute that represents the newly defined route for the VRF shall be returned. The created
 434 CIM_NextHopIPRoute instance shall comply with subclause 7.1.4.

435 **8.1.4.4 Job**

436 See 8.1.1

437 **8.1.5 CIM_VRFConfigurationService.RemoveRoute()**438 The implementation of the RemoveRoute() method is required, the provisions in this subclause shall
439 apply in addition to the behavior applicable to all extrinsic methods as specified in 8.1.440 The successful execution of the RemoveRoute() method shall remove the instance referenced in the
441 method's Route parameter from the VRF referenced in the VRF parameter

442 Table 5 contains requirements for parameters of this method.

443 **Table 5 – RemoveRoute() Method: Parameters**

Qualifiers	Name	Type	Description/Values
IN	VRF	CIM_VirtualRoutingAndForwardingTable REF	See 8.1.5.1
IN	Route	CIM_NextHopIPRoute REF	See 8.1.5.2
OUT	Job	CIM_ConcreteJob REF	See 8.1.5.3

444

445 **8.1.5.1 VRF**446 A required reference to a CIM_VirtualRoutingAndForwardingTable instance from which the route shall be
447 removed.448 **8.1.5.2 Route**

449 A reference to instance of the class CIM_NextHopIPRoute that shall be removed.

450 **8.1.5.3 Job**

451 See 8.1.1

452 **8.1.6 CIM_VRFConfigurationService.AddPortMember()**453 The implementation of the AddPortMember() method is required, the provisions in this subclause shall
454 apply in addition to the behavior applicable to all extrinsic methods as specified in 8.1.455 The successful execution of the AddPortMember() shall associate the referenced port in the PortMember
456 method parameter to the referenced VRF in the VRF method parameter through an instance of
457 CIM_MemberOfCollection.

458 Table 6 contains requirements for parameters of this method.

459 **Table 6 – AddPortMember() Method: Parameters**

Qualifiers	Name	Type	Description/Values
IN	VRF	CIM_VirtualRoutingAndForwardingTable REF	See 8.1.6.1
IN	PortMember	CIM_EthernetPort REF	See 8.1.4.2
OUT	Job	CIM_ConcreteJob REF	See 8.1.6.3

460 **8.1.6.1 VRF**

461 A required reference to a CIM_VirtualRoutingAndForwardingTable instance to which the port shall be
462 added.

463 **8.1.6.2 PortMember**

464 A reference to the CIM_EthernetPort instance that is being added to the VRF.

465 **8.1.6.3 Job**

466 See 8.1.1

467 **8.1.7 CIM_VRFConfigurationService.RemovePortMember()**

468 The implementation of the RemovePortMember() method is required, the provisions in this subclause
469 shall apply in addition to the behavior applicable to all extrinsic methods as specified in 8.1.

470 The successful execution of the RemovePortMember() method shall remove the referenced
471 CIM_EthernetPort passed in the PortMember parameter from the VRF passed in the VRF method
472 parameter, by removing the CIM_MemberOfCollection instance forming the association.

473 Table 7 contains requirements for parameters of this method.

474 **Table 7 – RemovePortMember() Method: Parameters**

Qualifiers	Name	Type	Description/Values
IN	VRF	CIM_VirtualRoutingAndForwardingTable	See 8.1.7.1
IN	PortMember	CIM_EthernetPort REF	See 8.1.7.2
OUT	Job	CIM_ConcreteJob REF	See 8.1.7.3

475 **8.1.7.1 VRF**

476 A required reference to a CIM_VirtualRoutingAndForwardingTable instance from which the port shall be
477 removed.

478 **8.1.7.2 PortMember**

479 A required reference to instance of the class CIM_EthrenetPort that shall be removed from the referenced
480 VRF.

481 **8.1.7.3 Job**

482 See 8.1.1

483 **8.1.8 CIM_VRFConfigurationService.AddSAPMember()**

484 The implementation of the AddSAPMember() method is required, the provisions in this subclause shall
485 apply in addition to the behavior applicable to all extrinsic methods as specified in 8.1.

486 The successful execution of the AddSAPMember() shall associate the referenced instance of
487 CIM_ServiceAccessPoint in the SAPMember method parameter to the referenced VRF in the VRF
488 method parameter through an instance of CIM_MemberOfCollection.

489 Table 8 contains requirements for parameters of this method.

490

Table 8 – AddSAPMember() Method: Parameters

Qualifiers	Name	Type	Description/Values
IN	VRF	CIM_VirtualRoutingAndForwardingTable REF	See 8.1.8.1
IN	SAPMember	CIM_ServiceAccessPoint REF	See 8.1.8.2
OUT	Job	CIM_ConcreteJob REF	See 8.1.8.3

491 8.1.8.1 VRF

492 A required reference to a CIM_VirtualRoutingAndForwardingTable instance to which the instance of
493 CIM_ServiceAccessPoint shall be added.

494 8.1.8.2 SAPMember

495 A required reference to the instance of CIM_ServiceAccessPoint that shall be added to the referenced
496 VRF.

497 8.1.8.3 Job

498 See 8.1.1

499 8.1.9 CIM_VRFConfigurationService.RemoveSAPMember()

500 The implementation of the RemoveSAPMember() method is required, the provisions in this subclause
501 shall apply in addition to the behavior applicable to all extrinsic methods as specified in 8.1.

502 The successful execution of the RemoveSAPMember() method shall remove the referenced
503 CIM_EthernetPort passed in the SAPMember parameter from the VRF passed in the VRF method
504 parameter, by removing the CIM_MemberOfCollection instance forming the association.

505 Table 9 contains requirements for parameters of this method.

506

Table 9 – RemoveSAPMember() Method: Parameters

Qualifiers	Name	Type	Description/Values
IN	VRF	CIM_VirtualRoutingAndForwardingTable	See 8.1.9.1
IN	SAPMember	CIM_ServiceAccessPoint REF	See 8.1.9.2
OUT	Job	CIM_ConcreteJob REF	See 8.1.9.3

507 8.1.9.1 VRF

508 A required reference to a CIM_VirtualRoutingAndForwardingTable instance from which the
509 CIM_ServiceAccessPoint shall be removed.

510 8.1.9.2 SAPMember

511 A required reference to instance of the class CIM_ServiceAccessPoint that shall be removed from the
512 referenced VRF.

513 8.1.9.3 Job

514 See 8.1.1

515 **8.2 Profile conventions for operations**

516 For each profile class (including associations), the implementation requirements for operations, including
 517 those in the following default list, are specified in class-specific subclauses of this clause.

518 The default list of operations is as follows:

- 519 • GetInstance
- 520 • EnumerateInstances
- 521 • EnumerateInstanceNames
- 522 • Associators
- 523 • AssociatorNames
- 524 • References
- 525 • ReferenceNames

526 **8.3 CIM_HostedService**

527 Table 10 lists implementation requirements for operations. If implemented, these operations shall be
 528 implemented as defined in [DSP0200](#). In addition, and unless otherwise stated in Table 10, all operations
 529 in the default list in 8 shall be implemented as defined in [DSP0200](#).

530 NOTE Related profiles may define additional requirements on operations for the profile class.

531 **Table 10 – Operations: CIM_HostedService**

Operation	Requirement	Messages
Associators	Unspecified	None
AssociatorNames	Unspecified	None
References	Unspecified	None
ReferenceNames	Unspecified	None

532 **8.4 CIM_HostedCollection**

533 Table 11 lists implementation requirements for operations. If implemented, these operations shall be
 534 implemented as defined in [DSP0200](#). In addition, and unless otherwise stated in Table 10, all operations
 535 in the default list in 8 shall be implemented as defined in [DSP0200](#).

536 NOTE Related profiles may define additional requirements on operations for the profile class.

537 **Table 11 – Operations: CIM_HostedCollection**

Operation	Requirement	Messages
Associators	Unspecified	None
AssociatorNames	Unspecified	None
References	Unspecified	None
ReferenceNames	Unspecified	None

538 8.5 CIM_ServiceAvailableToElement

539 Table 12 lists implementation requirements for operations. If implemented, these operations shall be
 540 implemented as defined in [DSP0200](#). In addition, and unless otherwise stated in Table 10, all operations
 541 in the default list in 8 shall be implemented as defined in [DSP0200](#).

542 NOTE Related profiles may define additional requirements on operations for the profile class.

543 **Table 12 – Operations: CIM_ServiceAvailableToElement**

Operation	Requirement	Messages
Associators	Unspecified	None
AssociatorNames	Unspecified	None
References	Unspecified	None
ReferenceNames	Unspecified	None

544 8.6 CIM_ServiceAffectsElement

545 Table 13 lists implementation requirements for operations. If implemented, these operations shall be
 546 implemented as defined in [DSP0200](#). In addition, and unless otherwise stated in Table 10, all operations
 547 in the default list in 8 shall be implemented as defined in [DSP0200](#).

548 NOTE Related profiles may define additional requirements on operations for the profile class.

549 **Table 13 – Operations: CIM_ServiceAffectsElement**

Operation	Requirement	Messages
Associators	Unspecified	None
AssociatorNames	Unspecified	None
References	Unspecified	None
ReferenceNames	Unspecified	None

550 8.7 CIM_VRFRoute

551 Table 14 lists implementation requirements for operations. If implemented, these operations shall be
 552 implemented as defined in [DSP0200](#). In addition, and unless otherwise stated in Table 10, all operations
 553 in the default list in 8 shall be implemented as defined in [DSP0200](#).

554 NOTE Related profiles may define additional requirements on operations for the profile class.

555 **Table 14 – Operations: CIM_VRFRoute**

Operation	Requirement	Messages
Associators	Unspecified	None
AssociatorNames	Unspecified	None
References	Unspecified	None
ReferenceNames	Unspecified	None

556 **8.8 CIM_MemberOfCollection**

557 Table 15 lists implementation requirements for operations. If implemented, these operations shall be
 558 implemented as defined in [DSP0200](#). In addition, and unless otherwise stated in Table 10, all operations
 559 in the default list in 8 shall be implemented as defined in [DSP0200](#).

560 NOTE Related profiles may define additional requirements on operations for the profile class.

561 **Table 15 – Operations: CIM_MemberOfCollection**

Operation	Requirement	Messages
Associators	Unspecified	None
AssociatorNames	Unspecified	None
References	Unspecified	None
ReferenceNames	Unspecified	None

562 **8.9 CIM_VRFConfigurationService**

563 All operations in the default list in 0 shall be implemented as defined in [DSP0200](#).

564 **8.10 CIM_NextHopIPRoute**

565 All operations in the default list in 0 shall be implemented as defined in [DSP0200](#).

566 **8.11 CIM_VirtualRoutingAndForwardingTable**

567 All operations in the default list in 0 shall be implemented as defined in [DSP0200](#).

568 **8.12 CIM_System**

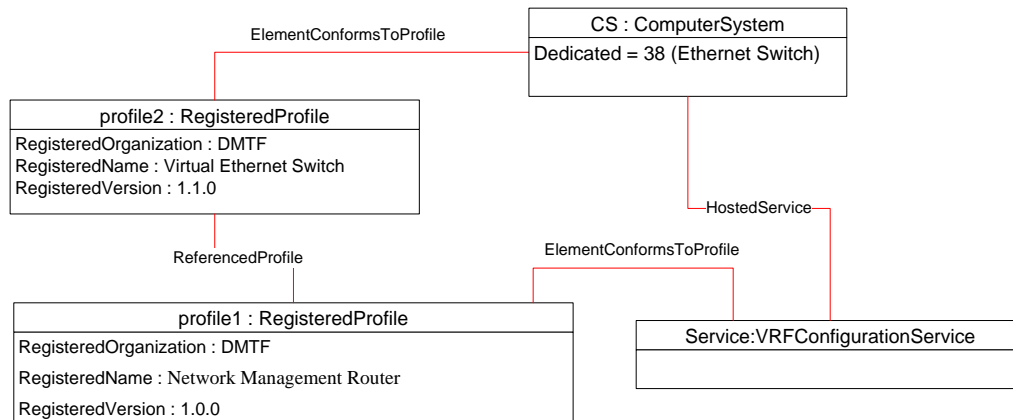
569 All operations in the default list in 0 shall be implemented as defined in [DSP0200](#).

570 9 Use cases

571 This clause contains object diagrams and use cases for the *Network Management - Virtual Routing and Forwarding Profile*.
572

573 9.1 Profile Registration

574 The object diagram in Figure 2 shows an example for advertising profile conformance. Figure 2 is an
575 example where an instance of CIM_ComputerSystem that is a compliant Virtual Ethernet Switch is the
576 scoping class.



577

578 **Figure 2 – Registered profile with Computer System Profile**

579 9.2 VRF with Routes and Interfaces

580 The object diagram in Figure 3 contains the basic element used to model a VRF. The instance diagram
581 shows a CIM_ComputerSystem instance CS0 hosting an instance of CIM_VRFConfigurationService,
582 CS0VRF. In this instance diagram one instance of a VRF, ManagementVRF has been created and is
583 under the CIM_VRFConfigurationService instance CS0VRF. The diagram also shows that the
584 ManagementVRF has two members, one an Ethernet port (E0/1) the other a remote service access point
585 (NPT0).

586 The following method calls through the CS0VRF instance of CIM_VRFConfigurationService were
587 performed to create and configure the VRF.

588 The ManagementVRF was created with a CIM_VRFConfigurationService.CreateVRF() method with the
589 following parameters. Note this is for illustration purposes; other properties can be populated in the
590 embedded class instances as required.

- 591 • TargetRouter - Reference to CS0:CIM_ComputerSystem
- 592 • VRF
 - 593 – Embedded instance of CIM_VirtualRoutingAndForwardingTable {
 - 594 ElementName = ManagementVRF }

595 The method call would return:

- 596 • ResultingVRF – Reference to ManagementVRF:CIM_VirtualRoutingAndForwardingTable.

597 The Ethernet port E0/1 was added to the VRF with the CIM_VRFConfigurationService.AddMemberPort()
598 method with the following parameters.

- 599 • VRF - Reference to CIM_VirtualRoutingAndForwardingTable:ManagementVRF
- 600 • MemberPort – Reference to CIM_EthernetPort:E0/1

601 The remote service access point NTP0 was added to the VRF with the
602 CIM_VRFConfigurationService.AddMemberSAP() method with the following parameters.

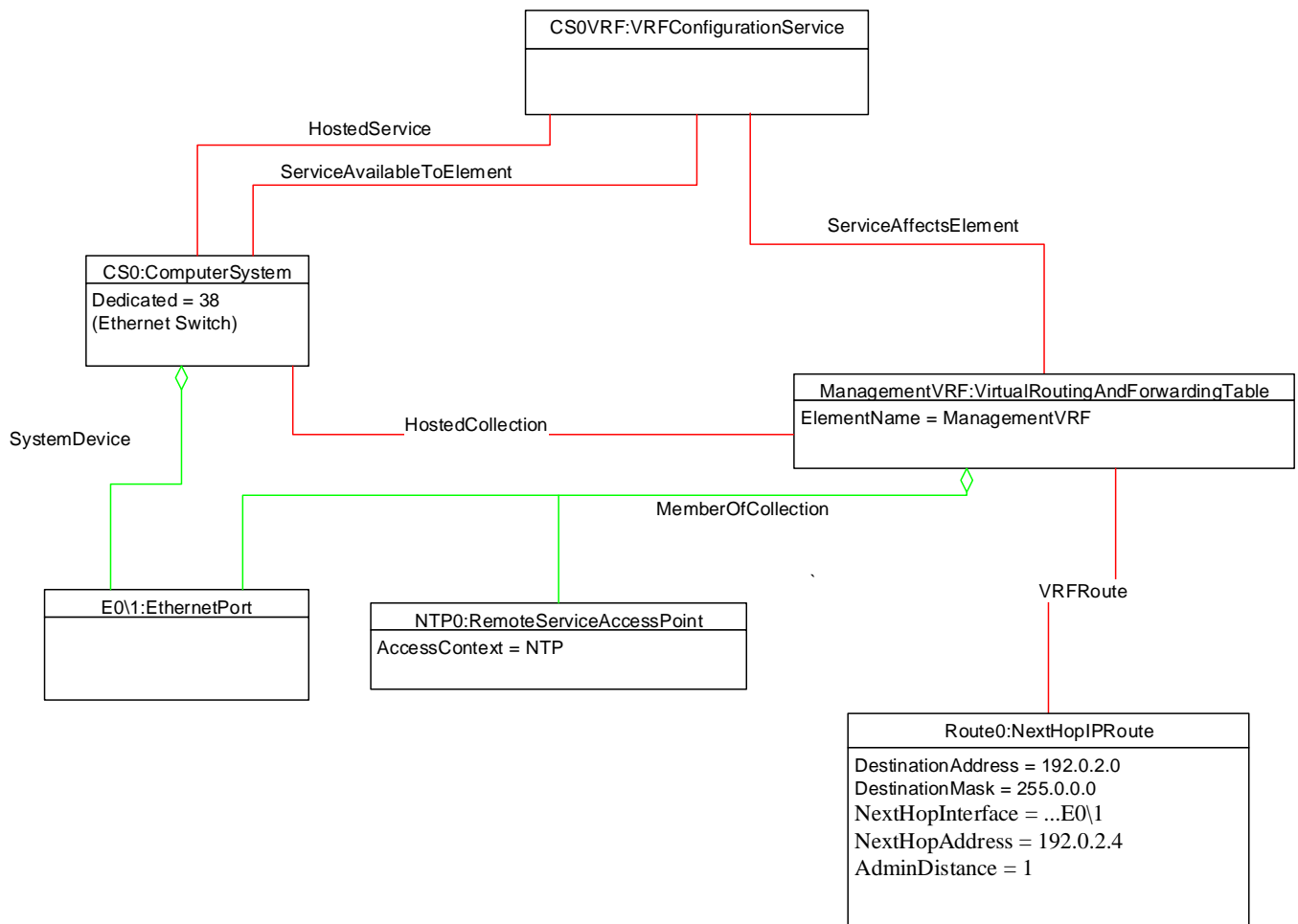
- 603 • VRF - Reference to CIM_VirtualRoutingAndForwardingTable:ManagementVRF
- 604 • MemberSAP – Reference to CIM_RemoteServiceAccessPoint:NTP0

605 A single route was added using the CIM_VirtualRoutingAndForwardingTable.AddRoute method with the
606 following parameters.

- 607 • VRF - Reference to CIM_VirtualRoutingAndForwardingTable:ManagementVRF
- 608 • Route -
 - 609 – Embedded instance of CIM_NextHopIPRoute {
 - 610 DestinationAddress = 192.0.2.0
 - 611 DestinationMask = 255.0.0.0
 - 612 NextHopInterface = ...E0\1
 - 613 NextHopAddress = 192.0.2.4
 - 614 AdminDistance = 1 }

615 The method call would return:

- 616 • ResultingRoute – Reference Route0:CIM_NextHopIPRoute.



617
618
619

Figure 3 – VRF Instance Diagram

620 **10 CIM Elements**

621 Table 16 shows the instances of CIM Elements for this profile. Instances of the CIM Elements shall be
622 implemented as described in Table 16. Clauses 7 (“Implementation”) and 8 (“Methods”) may impose
623 additional requirements on these elements.

624 **Table 16 – CIM Elements: Network Management - Virtual Routing and Forwarding Profile**

Element Name	Requirement	Description
Classes		
CIM_VRFRRoute	Optional	See clause 7.1.3
CIM_AutonomousSystem	Optional	See clause 7.1.1
CIM_EthernetPort	Optional	See clause 7.1.5
CIM_HostedCollection	Mandatory	See clause 7.1.3
CIM_HostedService	Mandatory	See clause 7.1.2

Element Name	Requirement	Description
CIM_MemberOfCollection	Optional	See clause 7.1.5 and 7.1.6
CIM_NextHopIPRoute	Optional	See clause 7.1.4
CIM_ServiceAccessPoint	Optional	See clause 7.1.6
CIM_ServiceAffectsElement	Mandatory	See clause 7.1.2
CIM_ServiceAvailableToElement	Mandatory	See clause 7.1.2
CIM_System	Mandatory	See clause 7.1.1
CIM_VirtualRoutingAndForwardingTable	Mandatory	See clause 7.1.3
CIM_VRFConfigurationService	Mandatory	See clause 7.1.2
Indications		
None defined in this profile		

625 **10.1 CIM_HostedService**

626 CIM_HostedService relates the CIM_VRFConfigurationService instance to its scoping
 627 CIM_ComputerSystem instance. Table 17 provides information about the properties of
 628 CIM_HostedService.

629 **Table 17 – Class: CIM_HostedService**

Elements	Requirement	Description
Antecedent	Mandatory	Key: This shall be a reference to the Central Instance. Cardinality 1
Dependent	Mandatory	Key: This shall be a reference to an instance of CIM_VRFConfigurationService. Cardinality *

630 **10.2 CIM_VRFRoute**

631 CIM_VRFRoute is used to associate a set of CIM_NextHopRoute instances with a
 632 CIM_VirtualRoutingAndForwardingTable instance. Table 18 provides information about the properties of
 633 CIM_HostedService.

634 **Table 18 – Class: CIM_VRFRoute**

Elements	Requirement	Description
Antecedent	Mandatory	Key: This shall be a reference to a CIM_VirtualRoutingAndForwardingTable instance. Cardinality 1
Dependent	Mandatory	Key: This shall be a reference to an instance CIM_NextHopRoute. Cardinality *

635 **10.3 CIM_RegisteredProfile**

636 CIM_RegisteredProfile identifies the *Network Management - Virtual Routing and Forwarding Profile* in
 637 order for a client to determine whether an instance of CIM_IPProtocolEndpoint is conformant with this
 638 profile. The CIM_RegisteredProfile class is defined by the [Profile Registration Profile](#). With the exception
 639 of the mandatory values specified for the properties in Table 19, the behavior of the
 640 CIM_RegisteredProfile instance is in accordance with the [Profile Registration Profile](#).

641 **Table 19 – Class: CIM_RegisteredProfile**

Elements	Requirement	Description
RegisteredName	Mandatory	This property shall have a value of "Network Management Routing and Forwarding Profile".
RegisteredVersion	Mandatory	This property shall have a value of "1.0.0c".
RegisteredOrganization	Mandatory	This property shall have a value of "DMTF".

642 **10.4 CIM_VirtualForwardingAndRoutingTable**

643 CIM_VirtualForwardingAndRoutingTable is a collection of interfaces and routes that form the context
 644 used for a virtual routing and forwarding table (VRF). Table 20 provides information about the properties
 645 of CIM_VirtualForwardingAndForwardingTable.

646 **Table 20 – Class: CIM_VirtualForwardingAndRoutingTable**

Elements	Requirement	Description
InstanceID	Mandatory	Key: This property shall contain a unique ID to uniquely identify the specific instance.
ElementName	Optional	This property should contain the friendly VRF context name.
RouteDistinguisher	Optional	If populated this shall be an eight Octet field that uniquely distinguishes a route when there are multiple VRFs in a single router.

647 **10.5 CIM_NextHopRoute**

648 CIM_NextHopRoute represents one of a series a "hops" to reach a network destination.

649 **Table 21 – Class: CIM_NextHopRoute**

Elements	Requirement	Description
InstanceID	Mandatory	Key: This property shall contain a unique ID to uniquely identify the specific instance.
DestinationAddress	Mandatory	The address of the destination that needs to be reached.

650 **10.6 CIM_NextHopIPRoute**

651 CIM_NextHopIPRoute contains the properties required to specialize CIM_NextHopRoute for an IP route.

652 **Table 22 – Class: CIM_NextHopIPRoute**

Elements	Requirement	Description
InstanceID	Mandatory	Key: This property shall contain a unique ID to uniquely identify the specific instance.

653

654
655
656
657

**ANNEX A
(informative)**

Change log

Version	Date	Description
1.0.0	2018-09-04	

658